



- Non handed
- Surface mounted
- Anti-friction ball bearings for smooth pin rotation
- Precision machined, extruded aluminum
- For aluminum frame doors up to 300 lbs (136 kg)
- 1/8" (3 mm) Vertical door adjustment
- Can accommodate 1/8" (3 mm) recessed doors
- Easy installation

### INCLUDES

- (2) Hinges
- (2) #1020S 1/8" (3 mm) shim plates (matching finish)
- (4) Adhesive cover strips (matching finish)
- (1) Hex key
- (12) Tamper resistant fasteners

#1020SC Shim plate pairs available separately.

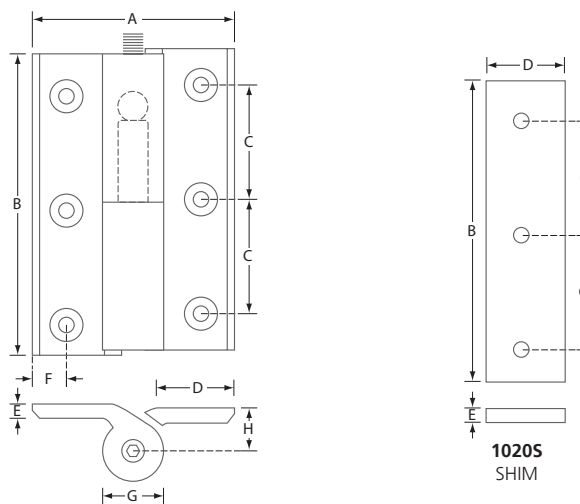
1020	- 28
MODEL	FINISH

MODEL	HINGE SIZE INCHES	MM	GAUGE	HOLES	QTY <sup>1</sup>
1020	3 1/4 x 5	82.6 x 127	0.218	6	8 / 32

(1) 8/32 : QUANTITY PER INNER CARTON / QUANTITY PER CASE. HINGES SOLD IN PAIRS, NOT SOLD INDIVIDUALLY.

20D	28
DARK BRONZE	ALUMINUM

OTHER FINISHES AVAILABLE, MAY REQUIRE SPECIAL ORDER AND/OR ADDITIONAL LEAD TIME.



MODEL	A	B	C	D	E	F	G	H
1020	3 1/4 (82.6)	5 (127)	2 (50.8)	1 (25.4)	7/32 (5.6)	9/16 (14)	1 (25.4)	3/4 (19)
1020S	—	5 (127)	2 (50.8)	1 (25.4)	1/8 (3.2)	7/32 (5.6)	1 (25.4)	—

IN (MM)