



LEFT HAND REVERSE MODEL SHOWN

- Certifications**
- Conforms to ANSI/BHMA A156.3, Grade 2
  - UL listed, Panic Exit
  - 1 Year limited warranty

**Handing** • Handed, reversible

**Door Thickness** • 1 3/4" (45.5 mm)

**Stile Width** • 3" (76 mm) minimum  
*Measured from door edge*

**Projection** • 4 3/4" (121 mm) from door surface

**Latchbolt** • Solid brass, 3/4" (19 mm)

**Crossbar**

- Field sizable
- 38" (965 mm) steel tube
- 48" (1219 mm) steel tube – available

**Strike** • Steel, standard type (NHST10)

**Dogging** • Hex key dogging

**Hardware** • Machine screws

**Functions**

- 1 Exit only, no trim
- 3 Passage, handleset trim – included
- 4 Night latch, pull trim – included\*
- 5 Entrance, handleset trim – included\*

(\* ) Keyed functions use standard rim cylinder, sold separately

**Finish** Aluminum

*Other finishes available by special order*

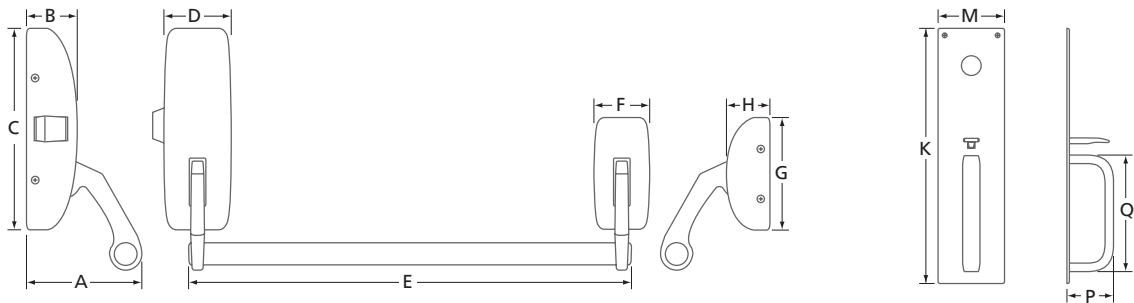
NH900	-3
MODEL	FUNCTION <sup>1</sup>

(1) SEE SELECTION GUIDE FOR DETAILS \*\*PLEASE INDICATE REQUIRED HANDING WHEN ORDERING

## SELECTION GUIDE

MODEL	FUNCTION	DOGGING	FINISH	/CASE	
NH900-1	Exit only, no exterior trim	#1	●	Aluminum	12
NH900-3	Passage, pull trim, latch always free	#3	●	Aluminum	6
NH900-4	Nightlatch, pull trim, latch activated by exterior rim cylinder, always locked*	#4	●	Aluminum	6
NH900-5	Entrance, handleset trim, latch activated by exterior thumb piece, except when locked by exterior cylinder*	#5	●	Aluminum	6

(\*) RIM CYLINDER NOT INCLUDED, SOLD SEPARATELY



MODEL	A	B	C	D	E <sup>1</sup>	F	G	H	K	M	P	Q
NH900-1	4¾	2⅛	8½	2⅛	38	2¾	4⅝	2	—	—	—	—
NH900-3/4/5	(121)	(54)	(216)	(68)	(965)	(55)	(117)	(51)	16 (406)	3½ (89)	2⅛ (52)	7½ (190)

IN (MM) (1) CAN BE CUT TO SIZE - SEE PRODUCT INSTALLATION INSTRUCTIONS

## PARTS & COMPONENTS

