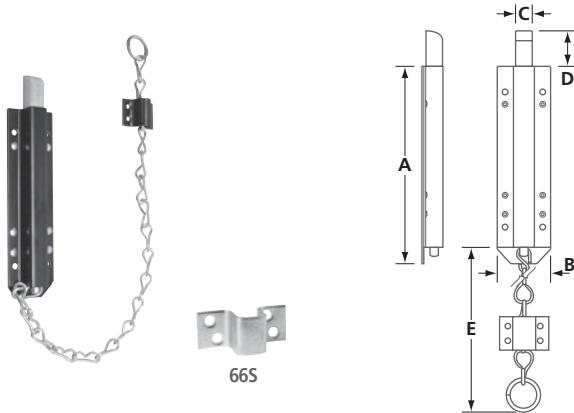


BOLTS & HASPS

GENERAL HARDWARE

CHAIN BOLT



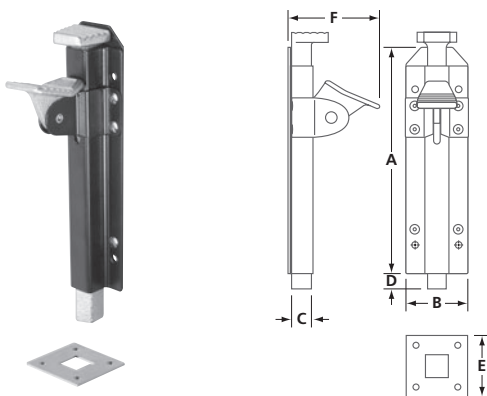
- Heavy-duty chain bolt
- Spring loaded
- Bolt reversible for in-swing and out-swing doors

#665 Surface strike for out-swing doors included; also available separately

MODEL	FINISH	MATERIAL	A	B	C SQ	D	E
66	Black	Steel	7 ³ / ₈ (187)	2 (50.8)	5 ⁸ / ₁₆ (15.9)	1 ⁵ / ₁₆ (33.3)	22 (559)

IN (MM)

FOOT BOLT



- Cast iron bolt

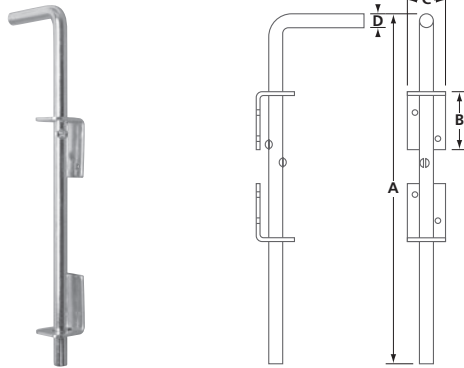
MODEL	FINISH	MATERIAL	A	B	C SQ	D	E SQ	F
68	Black	Steel	7 ³ / ₈ (187)	2 (50.8)	5 ⁸ / ₁₆ (15.9)	1 (25.4)	2 (50.8)	2 ⁷ / ₈ (73)

IN (MM)

BOLTS & HASPS

GENERAL HARDWARE

12" CANE BOLT – HEAVY DUTY



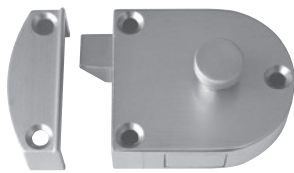
- Mounting hardware included: wood screws

MODEL	FINISH	MATERIAL	A	B	C	D
1069	Zinc plated	Steel	12 (305)	2 (50.8)	1 ⁵ / ₁₆ (33.3)	1 ⁵ / ₃₂ (11.9)

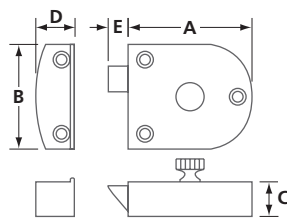
IN (MM)

SECRET GATE LATCH

H601



H601-15



- Mounting hardware included: wood screws

MODEL	FINISH	MATERIAL	A	B	C	D	E	/BOX
H601	15	Zinc die-cast	2 ¹ / ₄ (57)	1 ¹⁵ / ₁₆ (49.2)	5/ ₈ (15.9)	1 ¹ / ₁₆ (17.5)	3/ ₈ (9.5)	10

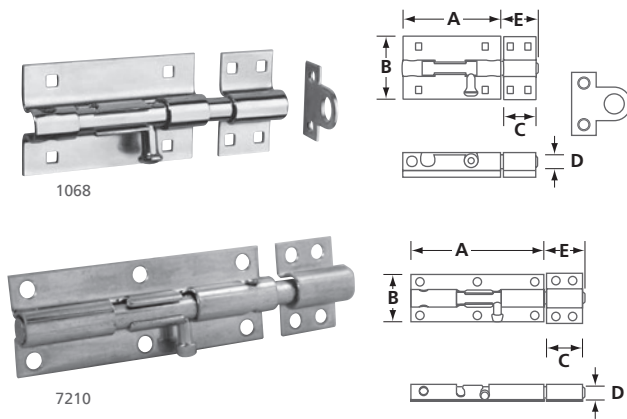
IN (MM) 15: SATIN NICKEL

BOLTS & HASPS

GENERAL HARDWARE

STANDARD PADBOLTS

1068, 7210



1068

- Also available retail packaged (#1068AP6C / #1068ZP8C)
- Mounting hardware included: wood screws (retail package includes carriage bolts and wood screws)

7210

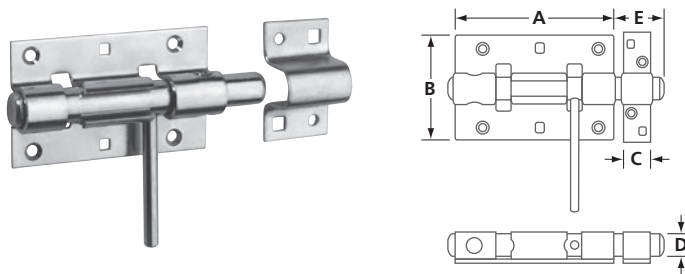
- Mounting hardware included: wood screws

MODEL	FINISH	MATERIAL	A	B	C	∅D	E	MAX PADLOCK SHACKLE DIA	/BOX
1068ZP6	Zinc plated	Steel	4½ (114)	2 ¹¹ / ₁₆ (68)	1½ (38.1)	19 ³² / ₃₂ (15.1)	1 ¹³ / ₁₆ (46)	¾ (9.5)	5
1068ZP8	Zinc plated	Steel	6 (152)	2 ⁵ / ₈ (67)	1½ (38.1)	1½ (38.1)	1½ (38.1)	¾ (9.5)	5
7210ZP6	Zinc plated	Steel	4 ⁵ / ₈ (117)	1 ⁵ / ₈ (41.3)	1¼ (31.8)	7 ¹⁶ / ₁₆ (11.1)	1¼ (31.8)	¼ (6.4)	10

IN (MM)

EXTRA HEAVY DUTY PADBOLT

168



MODEL	FINISH	MATERIAL	A	B	C	∅D	E	MAX PADLOCK SHACKLE DIA	/BOX
168K	Zinc plated	Steel	5 (127)	3 (76)	1 ³ / ₁₆ (30.2)	1 ³ / ₁₆ (20.6)	2 ³ / ₁₆ (56)	½ (12.7)	5

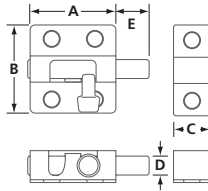
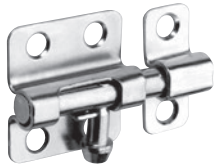
IN (MM)

BOLTS & HASPS

GENERAL HARDWARE

STEEL BARREL BOLT

0711



- Mounting hardware included: wood screws

MODEL	FINISH	MATERIAL	A	B	C	øD	E	/BOX
0711ZP2	Zinc plated	Steel	$1\frac{3}{8}$ (34.9)	$1\frac{7}{16}$ (36.5)	$\frac{5}{8}$ (15.9)	$\frac{5}{16}$ (7.9)	$\frac{9}{16}$ (14.3)	20
0711ZP25	Zinc plated	Steel	$1\frac{3}{4}$ (44.5)	$1\frac{7}{16}$ (36.5)	$\frac{5}{8}$ (15.9)	$\frac{5}{16}$ (7.9)	$\frac{5}{8}$ (15.9)	12
0711ZP3	Zinc plated	Steel	$2\frac{1}{8}$ (54)	$1\frac{7}{16}$ (36.5)	$\frac{5}{8}$ (15.9)	$\frac{5}{16}$ (7.9)	$\frac{3}{4}$ (19.1)	12
0711ZP4	Zinc plated	Steel	3 (76)	$1\frac{1}{2}$ (38.1)	$\frac{5}{8}$ (15.9)	$\frac{5}{16}$ (7.9)	1 (25.4)	12
0711ZP5	Zinc plated	Steel	$3\frac{3}{4}$ (95)	$1\frac{1}{2}$ (38.1)	$\frac{5}{8}$ (15.9)	$\frac{5}{16}$ (7.9)	1 (25.4)	12
0711ZP6	Zinc plated	Steel	$4\frac{5}{8}$ (117)	$1\frac{1}{2}$ (38.1)	$\frac{5}{8}$ (15.9)	$\frac{5}{16}$ (7.9)	1 (25.4)	12

IN (MM)