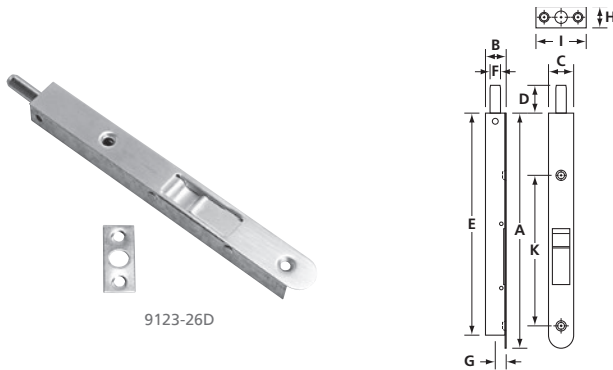


# BOLTS & HASPS

## GENERAL HARDWARE

### BOX-TYPE FLUSH BOLT

9123



- Solid brass and steel construction material
- Box type
- Flush bolt face plate end with  $\frac{3}{8}$ " (9.5 mm) radius
- Mounting screws included
- Sold individually

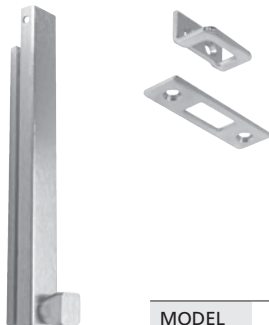
9123-26D

MODEL	FINISH	A	B	C	D	E	øF	G	H	I	K	/BOX
9123	15, 26D, 3	7 (178)	$\frac{5}{8}$ (16)	$\frac{3}{4}$ (19)	$\frac{7}{8}$ (22)	$6 \frac{11}{16}$ (170)	$\frac{5}{16}$ (8)	$1 \frac{1}{32}$ (8.4)	$\frac{5}{8}$ (16)	$1 \frac{1}{2}$ (38)	$4 \frac{1}{16}$ (116)	10

IN (MM) 15: SATIN NICKEL 26D: SATIN CHROME 3: POLISHED BRASS

### 8" COMMERCIAL SURFACE BOLT

0831



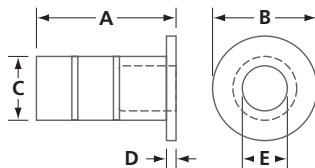
- UL listed
- Both top and bottom strikes included
- Mounting hardware included: wood screws, drywall anchors and machine screws

MODEL	FINISH	MATERIAL	A	B	C	D	E	F
0831	Satin Nickel	Steel	7 (178)	8 (203)	1 (25.4)	$1 \frac{1}{2}$ (38.1)	$\frac{1}{2}$ (12.7)	1 (25.4)

IN (MM)

### DUST PROOF STRIKE

T840



- Aluminum
- Spring loaded plunger
- Strike engagement depth up to  $\frac{3}{4}$ " (19 mm)

MODEL	MATERIAL	A	øB	øC	D	øE	/BOX
T840	Aluminum	$1 \frac{7}{8}$ (48)	$1 \frac{3}{8}$ (35)	$\frac{27}{32}$ (21.4)	$\frac{1}{8}$ (3.2)	$\frac{9}{16}$ (14.3)	25

IN (MM)

